

ISUZU
THE PICK-UP
PROFESSIONALS

THE NEW ISUZU D-MAX
**BUSINESS
RANGE**



BUSINESS RANGE BROCHURE

ISUZU.CO.UK

THE NEW ISUZU D-MAX

READY TO SORT STUFF OUT

Preparation is everything. That's why the Isuzu D-Max Business range is ready and able to handle the heaviest duty workloads. Aggressive on the outside, refined on the inside, our award-winning workhorse is purpose designed and built for durable performance, complete with enhanced comfort and safety.



*5 year / 125,000 miles (whichever comes first) warranty applies to all new Isuzu D-Max models. **3.5 tonne towing applies to all 4x4 models.

READY FOR HARD WORK

Sporting a new muscular radiator grille, bonnet, tailgate, and front bumper with air curtain design, The New Isuzu D-Max Utility gets the job done in stand-out style, come rain or shine.

Additional finishing touches include a reversing camera as standard for safe manoeuvring, together with newly designed, automatic halogen headlamps featuring high beam assist.

Available in a choice of single, extended or double cab, it's also equipped with durable steel wheels and hard-wearing black plastic bumpers, door mirrors and door handles. The rear bumper's integrated step makes it easier to access the load area and a tailgate damper is standard on the double cab model to provide a smoother opening.



NEW GRILLE & BONNET DESIGN



NEW HALOGEN HEADLAMPS



NEW REAR COMBINATION LAMPS & REVERSING CAMERA



NEW AIR CURTAIN DESIGN

READY FOR NO-NONSENSE COMFORT

Interior refinements include an 8" fully wireless infotainment system, 4.2" multi-information display and new reversing camera as standard, putting you comfortably and conveniently in control.

Ergonomically designed to improve comfort and reduce fatigue, the 6-way adjustable driver's seat with lumbar support is also enhanced by an

improved adjustable steering wheel, guaranteeing the best position for multiple drivers.

Featuring vinyl flooring and cloth upholstery, as well as air conditioning, cruise control, DAB, Bluetooth®, wireless Apple CarPlay™ and Android Auto™, the cabin is fully kitted out for the toughest working environments.



ADVANCED DRIVER ASSIST SYSTEMS (ADAS) ENHANCEMENTS



REDESIGNED STEREO CAMERA COVER

For better protection, and added heater to improve visibility when windshield steams up.



IMPROVED TARGET RECOGNITION

Identifies pedestrians, cyclists, motorcycles and other vehicles with greater speed and accuracy.



HORIZONTAL FIELD OF VIEW INCREASE

From 40 to 120 degrees (distance increase from 120m to 150m).



IMPROVED AUTO EMERGENCY BRAKING

Predictability feature added on turn assist irrespective of turn signal being on or off.



NEW INTELLIGENT ADAPTIVE CRUISE CONTROL (IACC)

Uses speed limit information to set adaptive cruise control speed, and when vehicle is in reverse, travelling at less than 10km/h.



NEW TRAFFIC SIGN RECOGNITION (TSR) FUNCTIONS

- Motorway / expressway
- Shared precinct
- Give way
- Stop

ATTENTION ASSIST

Uses sensors to learn about your driving habits and can detect if driver fatigue is causing you to lose focus behind the wheel.

AUTONOMOUS EMERGENCY BRAKING

Automatically applies the brakes to either prevent an accident or reduce the severity of an impact depending on speed.

BLIND SPOT MONITOR¹

Detects vehicles in the driver's blind spot and alerts via an orange warning light in the door mirror.

EMERGENCY LANE KEEPING

If there is a vehicle in the driver's blind spot when changing lanes, the system will adjust the steering direction to prevent the lane change and avoid the collision.

FORWARD COLLISION WARNING

Monitors the road ahead and alerts the driver of a potential collision.

INTELLIGENT ADAPTIVE CRUISE CONTROL

Enables the driver to set both the desired speed and the distance to the car in front. Allows to automatically set the speed target in conjunction with Traffic Sign Recognition system.

INTELLIGENT SPEED LIMITER

Keeps vehicle speed below the speed limit of the road it is travelling along.

LANE DEPARTURE PREVENTION

Adjusts steering direction to help prevent lane departure if the vehicle is about to depart its lane without indicating.

LANE DEPARTURE WARNING

Alerts the driver if they are about to drift out of their lane.

LANE KEEP ASSIST

Detects lane markings and makes necessary steering adjustment to help keep the vehicle in its lane.

REAR CROSS TRAFFIC ALERT & BRAKING¹

Detects vehicles approaching from the left or right while reversing out of a parking space with emergency braking system.

TRAFFIC JAM ASSIST

Used in conjunction with Intelligent Adaptive Cruise Control, the assistance system helps drivers navigate traffic jams.

TRAFFIC SIGN RECOGNITION

Reads standard road signs ahead and displays any change in speed limit on the Multi-Information Display.

TURN ASSIST

If the stereo camera detects a potential collision with an oncoming vehicle or pedestrian while turning at an intersection, the system automatically engages the brakes.



BLIND SPOT MONITOR¹



REAR RADAR¹

READY FOR ALL CONDITIONS

The D-Max Utility is ready to tackle any job with a 1.1 tonne payload and 3.5 tonne towing capacity*. It is also equipped with trailer sway control* to reduce vehicle speed if swing is identified.

Speed-sensitive power steering makes it lighter at lower speeds for easy manoeuvring, and heavier at higher speeds for stability and control. When stationary, the Stop & Start system improves fuel economy and reduces emissions.

4WD shift-on-the-fly* has three configuration settings to suit different terrains and conditions. Hill Start Assist and Hill Descent Control are standard, helping to negotiate hills smoothly and safely. Even more impressive is the new Rough Terrain Mode (RTM), available on all 4x4 models, which maximises torque-transfer and driveability to grip onto the steepest, slippiest surfaces.

Built on a durable ladder chassis, the D-Max Utility also has additional underbody protection covers to safeguard key components when travelling off-road.

*4x4 models only.



READY IN EVERY SHAPE AND SIZE



SINGLE CAB 4X2



SINGLE CAB 4X4

THE NEW ISUZU D-MAX **UTILITY**



EXTENDED CAB 4X4



DOUBLE CAB 4X4

CAB TYPES

SINGLE CAB

If capacity is a priority, the single cab measures up with our longest load bed of 2,290mm.

EXTENDED CAB

Offering an extended load bed of 1,785mm, the extended cab has the flexibility to carry two additional passengers on folding rear seats.

DOUBLE CAB

Our most versatile cab comfortably seats up to five, while the standard 1,520mm load bed accommodates all your tools.

EXTERIOR

- New Design Halogen Headlights
- Automatic Windscreen Wipers with Rain Sensor
- New Design Black & Dark Grey Grille
- Heated Black Door Mirrors[^]
- Tailgate Damper[^]
- Automatic Headlights with High Beam Assist
- Full Size Spare Wheel

INTERIOR

- Cloth Upholstery
- 6-Way Adjustable Driver's Seat (Manual)
- Driver's Seat Lumbar Support
- Front Cup Holders
- Front Door Pockets with Bottle Holder
- Vinyl Floor Covering
- Driver's Foot Rest

ENTERTAINMENT

- New 8" Multifunction Colour Touchscreen
- Wireless Apple CarPlay™ & Android Auto™
- Bluetooth® Connectivity
- DAB Radio
- Two Speakers
- Front USB C Port
- Rear USB C Port[^]

COMFORT & CONVENIENCE

- Updated 4.2" Multi-Information Display
- Height & Reach Adjustable Steering Wheel
- Steering Wheel Mounted Audio & Cruise Controls
- Manual Air Conditioning
- 12-Volt Power Outlet

SAFETY & SECURITY

- 4WD Shift-On-The-Fly*
- Speed-Sensitive Power Steering
- Tyre Pressure Monitoring System
- Reversing Camera
- Trailer Sway Control
- Hill Start Assist
- Hill Descent Control
- Rear Differential Lock*
- Rough Terrain Mode*
- Advanced Driver Assist Systems (ADAS)
- Stop & Start System**

VEHICLE SPECIFICATION

Key: ■ Standard - Unavailable

EXTERIOR	4X2 SINGLE CAB	4X4 SINGLE CAB	EXTENDED CAB	DOUBLE CAB
New Design Halogen Headlights	■	■	■	■
Halogen Daytime Running Lights	■	■	■	■
Automatic Headlights	■	■	■	■
High Beam Assist	■	■	■	■
Rear Fog Lights	■	■	■	■
Automatic Windscreen Wipers with Rain Sensor	■	■	■	■
Heated Rear Screen	-	-	■	■
New Design Black & Dark Grey Grille	■	■	■	■
Black Front Bumper	■	■	■	■
Black Rear Bumper with Integrated Step	■	■	■	■
Black Door Mirrors	■	■	-	-
Heated Black Door Mirrors	-	-	■	■
Black Door Handles	■	■	■	■
Integrated Fuel Filler Cap with AdBlue	■	■	■	■
Tailgate Damper	-	-	-	■

WHEELS

16" Steel Wheels	■	■	-	-
18" Steel Wheels	-	-	■	■
Full Size Spare Wheel	■	■	■	■

INTERIOR	4X2 SINGLE CAB	4X4 SINGLE CAB	EXTENDED CAB	DOUBLE CAB
Cloth Upholstery	■	■	■	■
6-Way Adjustable Driver's Seat (Manual)	■	■	■	■
Driver's Seat Lumbar Support (Manual)	■	■	■	-
Driver's Seat Lumbar Support (Power)	-	-	-	■
Flat Folding Rear Seats	-	-	-	■
60/40 Folding Seat Base	-	-	-	■
Under Seat Base Storage	-	-	■	■
Height Adjustable Rear Headrests	-	-	-	■
Front Cup Holders (Centre Console & Dash - Driver & Passenger Sides)	■	■	■	■
Front Door Pockets with Bottle Holder	■	■	■	■
Rear Door Pockets with Bottle Holder	-	-	-	■
Vinyl Floor Covering	■	■	■	■
Driver's Foot Rest	■	■	■	■

ENTERTAINMENT

New 8" Multifunction Colour Touchscreen	■	■	■	■
DAB Radio	■	■	■	■
Wireless Apple CarPlay™ & Android Auto™	■	■	■	■
Bluetooth® Connectivity	■	■	■	■
DAB Radio	■	■	■	■
Two Speakers	■	■	■	■
Front USB C Port	■	■	■	■
Rear USB C Port	-	-	-	■

COMFORT & CONVENIENCE	4X2 SINGLE CAB	4X4 SINGLE CAB	EXTENDED CAB	DOUBLE CAB
Remote Control Central Locking	■	■	■	■
Follow Me Home Light	■	■	■	■
Power Windows (Front Only) ¹	■	■	■	-
Power Windows (Front & Rear) ¹	-	-	-	■
Sunglass Holder & Overhead Console	■	■	■	■
Map Lights	■	■	■	■
Driver & Passenger Sun Visors	■	■	■	■
Height and Reach Adjustable Steering Wheel	■	■	■	■
Steering Wheel Mounted Audio & Cruise Controls	■	■	■	■
12-Volt Power Outlet	■	■	■	■
Gear Shift Indicator	■	■	■	■
Updated 4.2" Multi-Information Display	■	■	■	■

CLIMATE CONTROL

Manual Air Conditioning	■	■	■	■
-------------------------	---	---	---	---

ADVANCED DRIVER ASSIST SYSTEMS²

Attention Assist	■	■	■	■
Autonomous Emergency Braking	■	■	■	■
Blind Spot Monitor	-	-	-	■
Emergency Lane Keeping	■	■	■	■
Forward Collision Warning	■	■	■	■
Intelligent Adaptive Cruise Control	■	■	■	■
Intelligent Speed Limiter ³	■	■	■	■
Lane Departure Warning & Prevention	■	■	■	■
Lane Keep Assist	■	■	■	■
Rear Cross Traffic Alert & Braking	-	-	-	■
Traffic Jam Assist	■	■	■	■
Traffic Sign Recognition	■	■	■	■
Turn Assist	■	■	■	■

SAFETY & SECURITY	4X2 SINGLE CAB	4X4 SINGLE CAB	EXTENDED CAB	DOUBLE CAB
Reversing Camera	■	■	■	■
4WD Shift-On-The-Fly	-	■	■	■
Rough Terrain Mode	-	■	■	■
Speed-Sensitive Power Steering	■	■	■	■
ESC (Electronic Stability Control)	■	■	■	■
Traction Control	■	■	■	■
Trailer Sway Control	-	■	■	■
Brake Assist System	■	■	■	■
Hill Start Assist	■	■	■	■
Hill Descent Control	■	■	■	■
E-Call	■	■	■	■
Multi-Collision Brake	■	■	■	■
Insurance Approved Immobiliser	■	■	■	■
Alarm with Deadlock	■	■	■	■
Front, Side, Curtain & Driver Knee SRS Airbags ⁴	■	■	■	■
Centre SRS Airbag ⁴	-	-	-	■
Passenger Airbag Deactivation Switch	■	■	■	■
Height Adjustable Front Seatbelts with Pretensioner & Load Limiter	■	■	■	■
ISOFIX Child Seat Anchors with Top Tether Anchors (2 x Rear Side)	-	-	-	■
Rear Door Child Locks	-	-	-	■
Seatbelt Reminder Indicator (All Seating Positions)	■	■	■	■
Door Open Warning Light	■	■	■	■
Stop & Start System ⁵	■	■	■	■
2 x Three-Point Rear Seatbelts (Side)	-	-	■	-
3 x Three-Point Rear Seatbelts (Side & Centre)	-	-	-	■
ABS (Anti-Lock Braking System)	■	■	■	■
Attention Assist	■	■	■	■
Rear Differential Lock	-	■	■	■
Security Etched Glass	■	■	■	■
EBD (Electronic Brakeforce Distribution)	■	■	■	■

¹Driver side has auto up/down function, with pinch protection and timer. ²ADAS are driving support systems which may not operate optimally under all driving conditions or for all objects. The driver is always responsible for safe and attentive driving and observance of traffic regulations. See Owner's Manual for complete details on system operation and limitations. ³Manual & Intelligent Speed Limiter.

⁴SRS: Supplemental Restraint System. Must be used in conjunction with seatbelts. ⁵According to conditions, the Stop & Start system will automatically stop and restart the engine when the vehicle comes to a standstill to reduce fuel consumption and emissions.

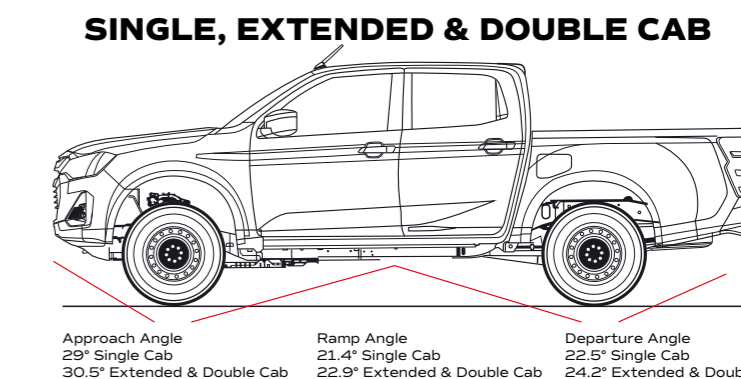
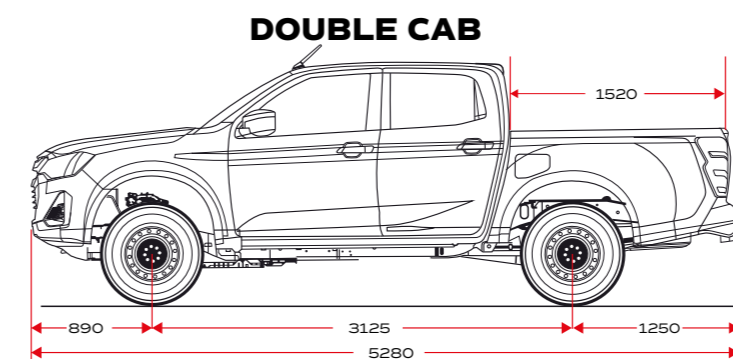
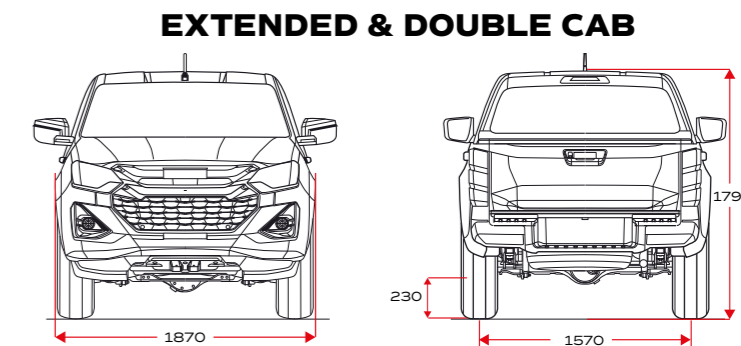
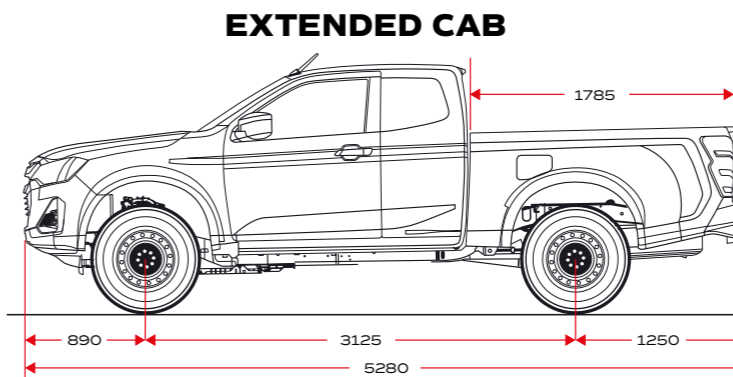
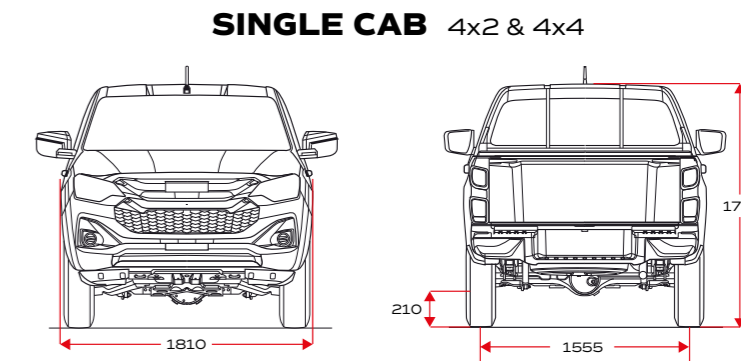
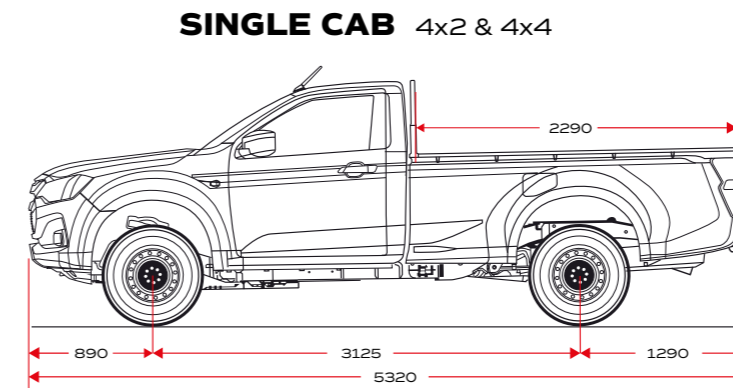
TECHNICAL SPECIFICATION

ENGINE	4X2 SINGLE CAB	4X4 SINGLE CAB	EXTENDED CAB	DOUBLE CAB
Engine Type			RZ4E	
Fuel Type			Diesel	
Arrangement Cylinders			4, In line	
Firing Order			1-3-4-2	
Bore (mm)			80.0	
Stroke (mm)			94.4	
Compression			15.9	
Engine Capacity (cm³)			1898	
Idle Speed			750+/- 25	
Fuel Tank Capacity (Litres)			76	
GEAR RATIOS				
1	4.942	4.942	4.942	4.942
2	2.452	2.452	2.452	2.452
3	1.428	1.428	1.428	1.428
4	1.000	1.000	1.000	1.000
5	0.749	0.749	0.749	0.749
6	0.634	0.634	0.634	0.634
Reverse	4.597	4.597	4.597	4.597
Final Drive	4.100	4.100	4.300	4.300
PERFORMANCE				
Net Power PS @ rpm			164 @ 3600	
Torque Nm @ rpm			360 @ 2000 - 2500	
Maximum Speed (mph)			112	
Acceleration (0-62mph) sec			12.7	
FUEL CONSUMPTION WLTP (MPG) ¹				
Low	26.90	26.40	26.40	26.15
Mid	33.62	33.23	32.84	32.46
High	39.23	38.70	38.69	38.70
Extra-High	32.46	32.10	31.38	31.38
Combined	33.62	33.23	32.84	32.47
CO ₂ emissions (g/km)	220	223	226	227
Emissions Class			Euro 6D	

¹MPG figures are EU test figures for comparative purposes and may not reflect real driving results. There is a new WLTP test used for fuel consumption and CO₂ figures. The fuel consumption and CO₂ emissions shown are based on the WLTP testing method. Only compare fuel consumption and CO₂ figures with other vehicles tested to the same technical standard. The fuel consumption you achieve in real life conditions and CO₂ produced will depend upon a number of factors including accessories fitted (post-registration), variations in weather, driving styles and vehicle load etc. ²Maximum payload capacity as defined by HM Revenue and Customs for VAT purposes. Payload is gross vehicle weight minus kerb weight. Kerb weights quoted are for vehicles with standard specification. Kerb weight and payload may be influenced by badge level, factory options and dealer fitted accessories. It is the responsibility of the vehicle operator to ensure their vehicle is legally compliant for road use.

DIMENSIONS (MM)	4X2 SINGLE CAB	4X4 SINGLE CAB	EXTENDED CAB	DOUBLE CAB
Length	5320	5320	5280	5280
Width	1810	1810	1870	1870
Height	1770	1770	1790	1790
Front Overhang	890	890	890	890
Rear Overhang	1290	1290	1250	1250
Wheelbase	3125	3125	3125	3125
Track (Front & Rear)	1555	1555	1570	1570
Ground Clearance mm (Rear Axle)	210	210	230	230
Approach Angle (deg.)	29	29	30.5	30.5
Departure Angle (deg.)	22.5	22.5	24.2	24.2
Ramp Angle (deg.)	21.4	21.4	22.9	22.9
LOAD BED DIMENSIONS (MM)				
Length	2290	2290	1785	1520
Width	1530	1530	1530	1530
Depth	465	465	500	500
WEIGHTS (KG)				
Kerb Weight	1810	1895	1960	2000
Gross Vehicle Weight	3000	3100	3100	3100
Payload ²	1190	1205	1140	1100
Max Front Axle	1450	1450	1450	1450
Max Rear Axle	1910	1910	1910	1910
Trailer Weight Braked	2500	3500	3500	3500
Trailer Weight Unbraked	750	750	750	750
Nose Weight	100	245	245	245
Gross Train Weight	5500	6000	6000	6000
WHEELS & TYRES				
Tyres	205 R16C	205 R16C	265/60R18	265/60R18
Wheels	16x6.5 J	16x6.5 J	18x7.5 J	18x7.5 J
INSURANCE GROUPS				
Group	50D	50D	50D	50D

VEHICLE DIMENSIONS



All measurements in mm.

COLOURS



SPLASH WHITE



**MERCURY SILVER
METALLIC**



**OBSIDIAN GREY
MICA
Double Cab only**

WHEELS



SINGLE CAB 16" Steel Wheels



EXTENDED & DOUBLE CAB 18" Steel Wheels

TRIM



Cloth Upholstery



UTILITY

[isuzu.co.uk](https://www.isuzu.co.uk)

Isuzu (UK) LTD reserve the right to change specifications and equipment without notice. Features and specification may vary in appearance and/or availability. For full details please contact your local Isuzu dealer or visit [isuzu.co.uk](https://www.isuzu.co.uk)



Isuzu (UK) Ltd a subsidiary of International Motors Limited.

Part No. IB560